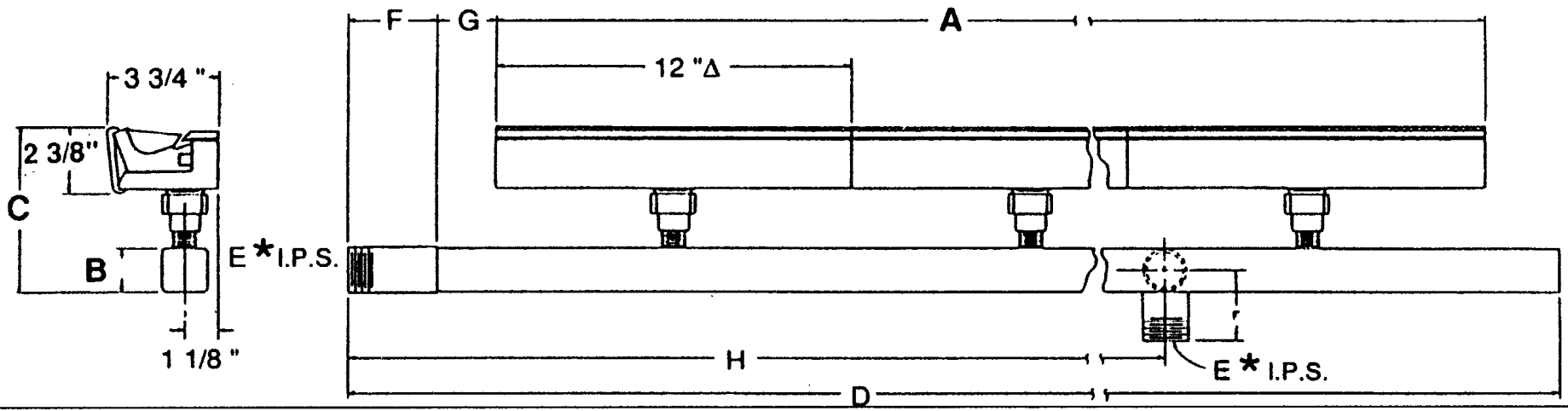


# RED-RAY TYPE "CI-F"



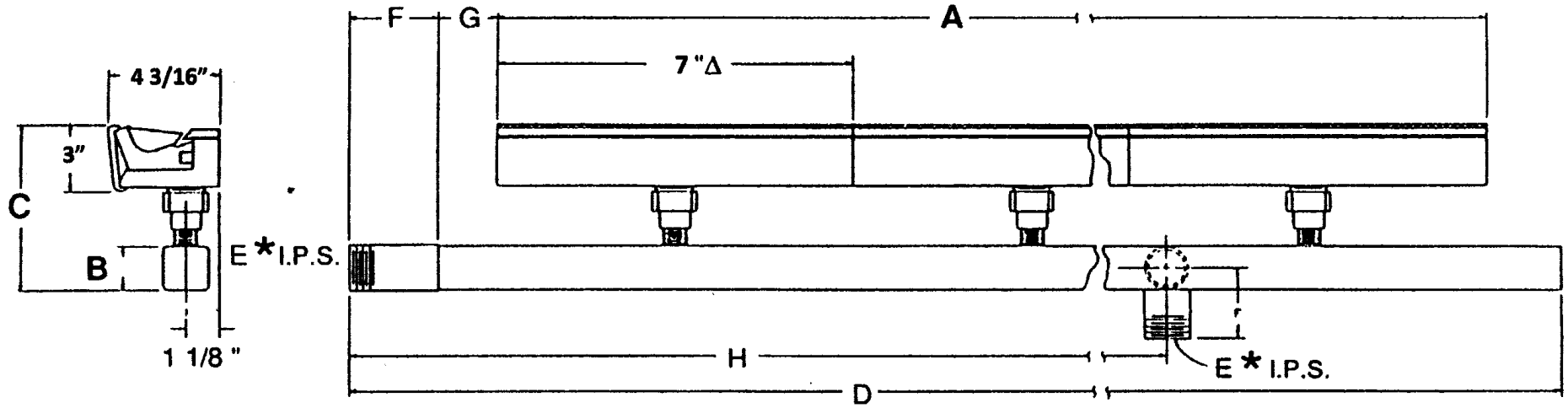
**BURNER DIMENSIONS IN INCHES**

NUMBER OF SECTIONS	1	2	3	4	5	6	7	8	9	10	11	12	13	14	15	16	17	18	19
<b>A</b>	12	24	36	48	60	72	84	96	108	120	132	144	156	168	180	192	204	216	228
<b>B<sub>1</sub></b>	-	1 1/4	1 1/4	1 1/2	1 1/2	1 1/2	1 1/2	2	2	2	2	2	2 1/2	2 1/2	2 1/2	2 1/2	3	3	3
<b>B<sub>2</sub></b>	-	1 1/2	1 1/2	2	2	2	2	2 1/2	2 1/2	2 1/2	2 1/2	2 1/2	3	3	3	3	4	4	4
<b>C<sub>1</sub></b>	4	5 1/2	5 1/2	5 3/4	5 3/4	5 3/4	5 3/4	6 1/2	6 1/2	6 1/2	6 1/2	6 1/2	6 3/4	6 3/4	6 3/4	6 3/4	7 1/4	7 1/4	7 1/4
<b>C<sub>2</sub></b>	4	5 3/4	5 3/4	6 1/2	6 1/2	6 1/2	6 1/2	6 3/4	6 3/4	6 3/4	6 3/4	6 3/4	7 1/4	7 1/4	7 1/4	7 1/4	8 1/4	8 1/4	8 1/4
<b>D</b>																			
<b>E</b>	1/2	1	1 1/4	1 1/2	1 1/2	1 1/2	1 1/2	2	2	2	2	2	2 1/2	2 1/2	2 1/2	2 1/2	3	3	3
<b>F</b>	1	4	4	4	4	4	4	4	4	4	4	4	4	4	4	4	5	5	5
<b>G"</b>																			
<b>I</b>																			
<b>SHIPPING WT. (LBS)</b>	15	35	53	65	88	105	120	147	167	185	205	220	250	270	290	310	350	390	430

**B<sub>1</sub>** AND **C<sub>1</sub>** ARE DIMENSIONS FOR ROUND PIPE MANIFOLD; **B<sub>2</sub>** AND **C<sub>2</sub>** ARE FOR SQUARE TUBING MANIFOLD.  
 \* INLET E MAY BE PLACED AT END, BOTTOM OR SIDE OF SQUARE TUBING MANIFOLD; AT END ONLY OF ROUND PIPE MANIFOLD.  
 DIMENSIONS OF BURNERS LONGER THAN 133" AVAILABLE ON REQUEST.  
**G"** TO CUSTOMER'S SPECIFICATIONS WHEN MANIFOLD "D" IS LONGER THAN BURNER "A".  
 Δ 7" BURNER SECTIONS AVAILABLE.

**RED-RAY MANUFACTURING CO., INC.**  
 11012 Aurora Hudson Road Toll Free: 800-883-9218  
 Streetsboro, OH 44241 Main: 216-662-8800  
 Email: sales@selas.com Fax: 216-663-8954

# RED-RAY TYPE "FH-SS-SC"



**BURNER DIMENSIONS IN INCHES**

NUMBER OF SECTIONS	1	2	3	4	5	6	7	8	9	10	11	12	13	14	15	16	17	18	19
<b>A</b>	7	14	21	28	35	42	49	56	63	70	77	84	91	98	105	112	119	126	133
<b>B<sub>1</sub></b>	-	1	1	1	1	1 1/4	1 1/4	1 1/4	1 1/4	1 1/2	1 1/2	1 1/2	1 1/2	2	2	2	2	2	2
<b>B<sub>2</sub></b>	-	1 1/4	1 1/4	1 1/4	1 1/4	1 1/2	1 1/2	1 1/2	1 1/2	2	2	2	2	3	3	3	3	3	3
<b>C<sub>1</sub></b>	3	5 7/8	5 7/8	5 7/8	5 7/8	6 1/8	6 1/8	6 1/8	6 1/8	6 3/8	6 3/8	6 3/8	6 3/8	6 7/8	6 7/8	6 7/8	6 7/8	6 7/8	6 7/8
<b>C<sub>2</sub></b>	3	6 1/8	6 1/8	6 1/8	6 1/8	6 3/8	6 3/8	6 3/8	6 3/8	6 7/8	6 7/8	6 7/8	6 7/8	7 7/8	7 7/8	7 7/8	7 7/8	7 7/8	7 7/8
<b>D</b>																			
<b>E</b>	-	1	1	1	1	1 1/4	1 1/4	1 1/4	1 1/4	1 1/2	1 1/2	1 1/2	1 1/2	2	2	2	2	2	2
<b>F</b>	-	4	4	4	4	4	4	4	4	4	4	4	4	4	4	4	4	4	4
<b>G"</b>																			
<b>I</b>																			
<b>SHIPPING WT. (LBS)</b>	10	18	28	37	49	58	69	80	89	99	108	118	129	147	165	183	201	219	237

**B<sub>1</sub>** AND **C<sub>1</sub>** ARE DIMENSIONS FOR ROUND PIPE MANIFOLD; **B<sub>2</sub>** AND **C<sub>2</sub>** ARE FOR SQUARE TUBING MANIFOLD.

\* INLET E MAY BE PLACED AT END, BOTTOM OR SIDE OF SQUARE TUBING MANIFOLD; AT END ONLY OF ROUND PIPE MANIFOLD.

DIMENSIONS OF BURNERS LONGER THAN 133" AVAILABLE ON REQUEST.

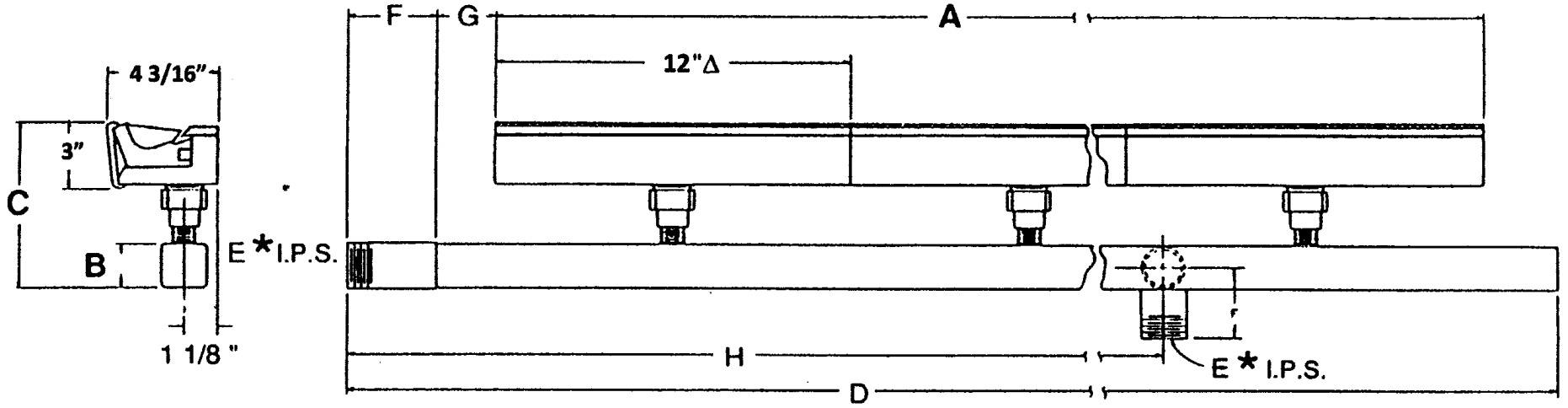
**G"** TO CUSTOMER'S SPECIFICATIONS WHEN MANIFOLD "D" IS LONGER THAN BURNER "A".

Δ 12" BURNER SECTIONS AVAILABLE.

**RED-RAY MANUFACTURING CO., INC.**

11012 Aurora Hudson Road Toll Free: 800-883-9218  
 Streetsboro, OH 44241 Main: 216-662-8800  
 Email: sales@selas.com Fax: 216-663-8954

# RED-RAY TYPE "F-SS-SC"



**BURNER DIMENSIONS IN INCHES**

NUMBER OF SECTIONS	1	2	3	4	5	6	7	8	9	10	11	12	13	14	15	16	17	18	19
<b>A</b>	12	24	36	48	60	72	84	96	108	120	132	144	156	168	180	192	204	216	228
<b>B<sub>1</sub></b>	-	1 1/4	1 1/4	1 1/2	1 1/2	1 1/2	1 1/2	2	2	2	2	2	2 1/2	2 1/2	2 1/2	2 1/2	3	3	3
<b>B<sub>2</sub></b>	-	1 1/2	1 1/2	2	2	2	2	2 1/2	2 1/2	2 1/2	2 1/2	2 1/2	3	3	3	3	4	4	4
<b>C<sub>1</sub></b>	3	6 1/8	6 1/8	6 3/8	6 3/8	6 3/8	6 3/8	6 7/8	6 7/8	6 7/8	6 7/8	6 7/8	7 3/8	7 3/8	7 3/8	7 3/8	7 7/8	7 7/8	7 7/8
<b>C<sub>2</sub></b>	3	6 3/8	6 3/8	6 7/8	6 7/8	6 7/8	6 7/8	7 3/8	7 3/8	7 3/8	7 3/8	7 3/8	7 7/8	7 7/8	7 7/8	7 7/8	8 7/8	8 7/8	8 7/8
<b>D</b>																			
<b>E</b>	1/2	1	1 1/4	1 1/2	1 1/2	1 1/2	1 1/2	2	2	2	2	2	2 1/2	2 1/2	2 1/2	2 1/2	3	3	3
<b>F</b>	1	4	4	4	4	4	4	4	4	4	4	4	4	4	4	4	5	5	5
<b>G"</b>																			
<b>I</b>																			
<b>SHIPPING WT. (LBS)</b>	15	35	53	65	88	105	120	147	167	185	205	220	250	270	290	310	350	390	430

**B<sub>1</sub> AND C<sub>1</sub> ARE DIMENSIONS FOR ROUND PIPE MANIFOLD; B<sub>2</sub> AND C<sub>2</sub> ARE FOR SQUARE TUBING MANIFOLD.**

\* INLET E MAY BE PLACED AT END, BOTTOM OR SIDE OF SQUARE TUBING MANIFOLD; AT END ONLY OF ROUND PIPE MANIFOLD.

DIMENSIONS OF BURNERS LONGER THAN 133" AVAILABLE ON REQUEST.

G" TO CUSTOMER'S SPECIFICATIONS WHEN MANIFOLD "D" IS LONGER THAN BURNER "A".

△ 7" BURNER SECTIONS AVAILABLE.

**RED-RAY MANUFACTURING CO., INC.**

11012 Aurora Hudson Road Toll Free: 800-883-9218  
 Streetsboro, OH 44241 Main: 216-662-8800  
 Email: sales@selas.com Fax: 216-663-8954