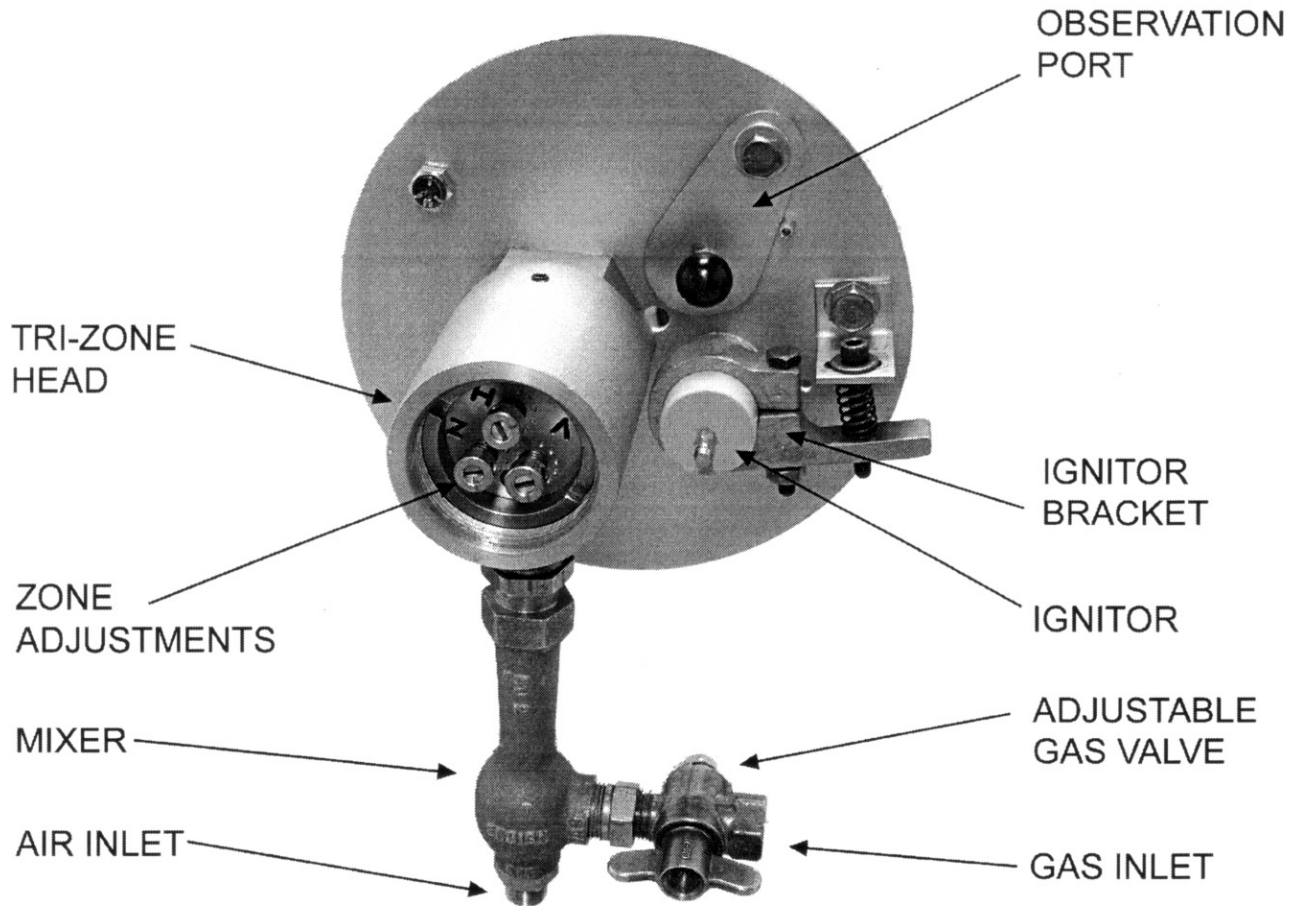
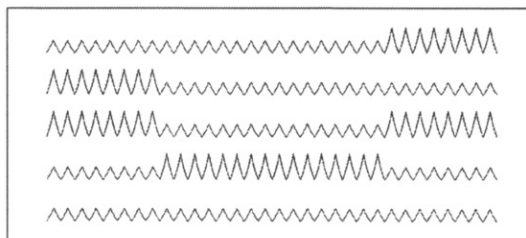


TRI-ZONE BURNER



- Designed as a Direct Replacement for APV/BP Ovens, Will Retrofit into Any Oven
- Fully Compensates for Lateral Heat Imbalance
- Provides greater BTU output and Improved Flame Retention at Low Fire down to <math><2''\text{WC}</math>
- New Ribbon Pattern Reduces Clogging for Lower Maintenance Cost and Longer Burner Life
- Endorsed by APV Baker

DISTRIBUTION PATTERN EXAMPLES



ZONE TRANSITION

