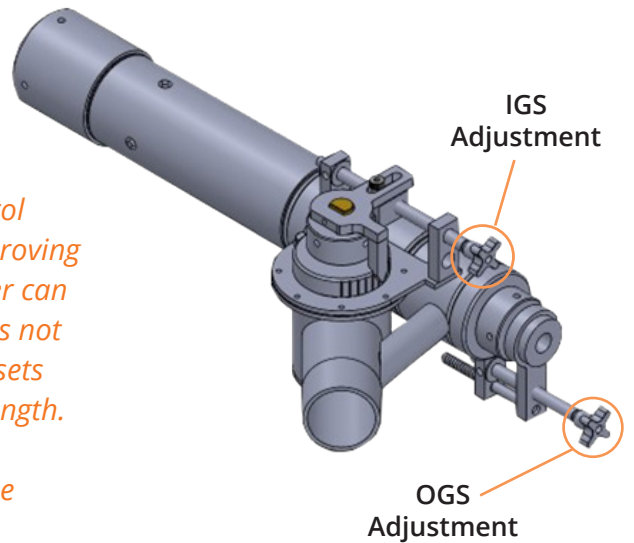


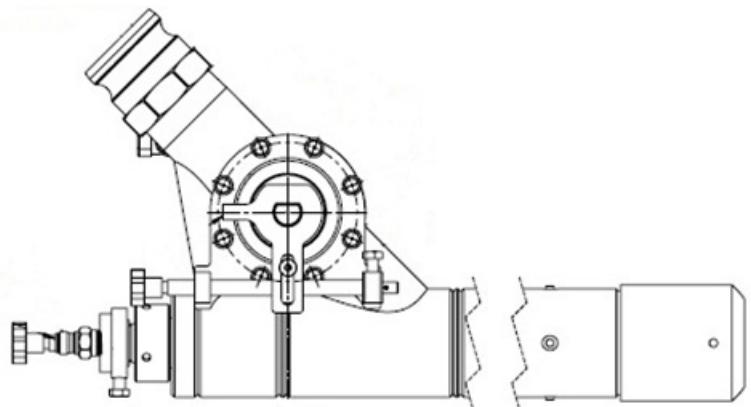
Selas Adjustable Gas Burner

This Natural Gas burner is designed for regenerative glass furnaces, with an adjustable mechanism for flame length and energy release position. Three sizes are available to provide flexibility for under-port and side-of-port firing, as well as end-port and cross-fired furnaces. Inner and outer nozzle sizes are designed to fit furnace energy requirements to provide for control of both the inner gas stream and outer gas stream, thereby improving control of flame length, and heat release to the glass. The burner can include oil lances for back-up oil firing in the event natural gas is not available. The Outer Gas Stream (OGS) adjustment mechanism sets the velocity of the outer gas stream and thus the overall flame length. The Inner Gas Stream (IGS) adjustment mechanism increases or decreases the natural gas flow to the inner nozzle and moves the heat release within the overall flame envelope.



Specifications

| Burner Capacity | | Min. | Max. |
|-----------------|--------|------|------|
| SAGB 2.5 | MW | 0.5 | 2.6 |
| | mm BTU | 1.7 | 8.9 |
| SAGB 3.0 | MW | 1.3 | 5.1 |
| | mm BTU | 4.4 | 17.4 |
| SAGB 4.0 | MW | 2.6 | 8.9 |
| | mm BTU | 8.9 | 30.3 |



Diverse Combustion Technologies. One Reliable Source.