



Model TF10

Parameters		Specifications
Integral Blower Motor, HP		1 1/2
Maximum Input, BTU/hr (kW) ¹		2,866,000 (840)
Nominal Operating Gas Pressure at Burner Head, "w.c. (mbar) ²	Natural Gas	7 (17.5)
Tube Diameter, inches (mm)		10 (254)
Maximum Tube Length, ft. (m)		67 (20.4)
Piping		NPT
Ignition Type		Pilot
Flame Detection		Flame rod or UV scanner
Fuel		Natural Gas or Propane
Conformance		 

1 Maximum input is given for the standard, integral air blowers at 1,000 ft elevation. Higher elevations may require a larger capacity blower.

2 Values are given for integral blower arrangement at high fire.

Test conditions: Natural Gas flow 170 SCFH, 2.2% excess O₂, test fired into effective tube length of 28"

NOTE: All values are approximate. To check if the packages meet other agency requirements, contact the factory. Packages meant for indoor use.

NOTICE: Selas practices a policy of continuous improvement in the design of its products. It reserves the right to the change the specifications at any time without prior notice.

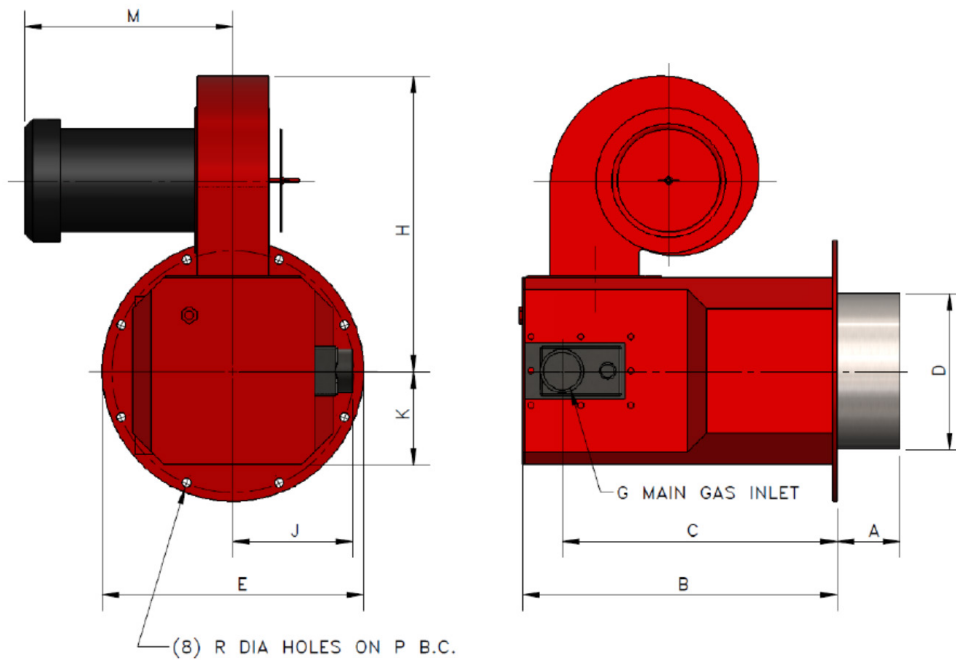


The Heat Technology Company™

Dimensions



A	B	C	D	E	F	G	H	J	K	M	P	R
4	19-3/4	17-1/4	9-7/8	16-1/2	0	2	18-3/4	7-1/2	6	13-1/4	15-3/8	9/16



NOTE: All dimensions are in inches +/- 1/8. Blower mounted sideways on casing w/motor facing mounting plate when no gas train is required. 'M' dimensions approximate, dependent on motor manufacturer. Dimensions subject to change without notice. Blower may be mounted in other configurations.



SCAN FOR MORE INFORMATION



The Heat Technology Company™